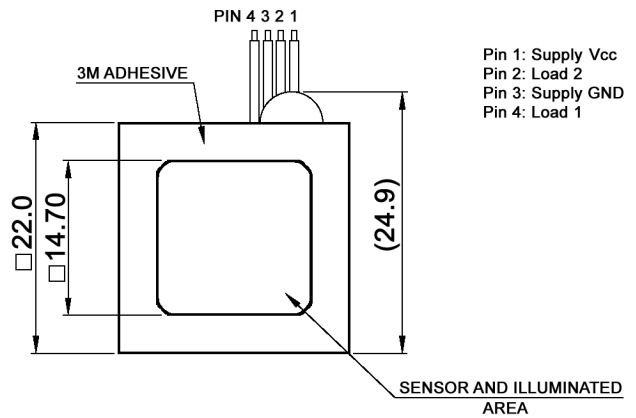
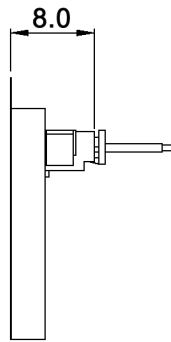
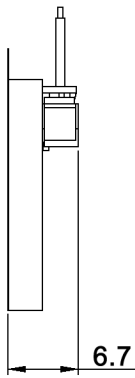


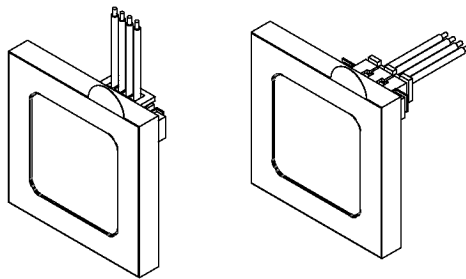
# CONNECTOR

HORIZONTAL

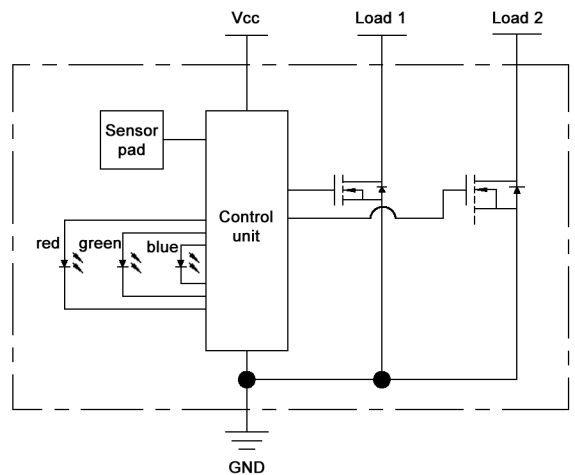
VERTICAL



Pin 1: Supply Vcc  
Pin 2: Load 2  
Pin 3: Supply GND  
Pin 4: Load 1



## CIRCUIT DIAGRAM



### Specifications:

Power supply: 6-30 V DC  
 Contact rating: 1.5 A, 1-30 V DC  
 Contact resistance: 20 mOhm max.  
 Insulation resistance: 10 MOhm min. at 600 V DC  
 Operating temperature: -20°C to +80°C  
 Electrical life: 1 000 000 cycles  
 ESD resistance: +/- 2 kV (contacts); +/- 8 kV (air discharges)  
 Power consumption: 10 mA, 5 V DC (main control unit)  
 25 mA, 5 V DC (LED)

Material: Case: PC, UL94V-0, white  
 Body: ABS, UL94-HB, black  
 Connector: 1.25 mm pitch 4 pole housing SMD type  
 Adhesive: 3M 467MP, transparent  
 Panel material suggestion: Glass: max. 2 mm thickness  
 Acrylic: max. 2 mm thickness

Function "x"	Switch Type
01	OFF-(ON)
02	ON-(OFF)
03	ON-OFF
04	OFF-ON
05	SPDT MOM.
06	SPDT Latch
07	Dimmer
08	Latch with delay

Connector "y"	Type
H	Horizontal
V	Vertical

Compliance: RohS II (2011/65/EU)

Tolerances: 0.00 to 30.00: ±0.20 mm	Date	Name
30.01 to 80.00: ±0.25 mm	06/18	dr

# CTK-x-02-C1-Cy-S-L1-L2

**knitter-switch**

**30 41 01**

Page

1/2

Modifications      Date      Name

ILLUMINATION DEPENDS ON SWITCH TYPE  
 EXAMPLES:

Illumination sequence for switch type 05

State	Touch key operation	Load 1	Load 2	LED color
0	power on (boot up)	turn off	turn on	red
1	touch	turn on	turn off	green
2	no touch	turn off	turn on	red
3	touch	turn on	turn off	green
4	no touch	turn off	turn on	red
5	touch	go to state 1		

Illumination sequence for switch type 06

State	Touch key operation	Load 1	Load 2	LED color
0	power on (boot up)	turn off	turn on	orange
1	touch	turn on	turn off	cyan
2	touch	turn off	turn on	orange
3	touch	turn on	turn off	cyan
4	touch	turn off	turn on	orange
5	touch	go to state 1		

Compliance: RohS II (2011/65/EU)

Tolerances: 0.00 to 30.00: ±0.20 mm 30.01 to 80.00: ±0.25 mm		Date	Name	<b>CTK-x-02-C1-Cy-S-L1-L2</b>
		06/18	dr	
		<b>knitter-switch</b>		<b>30 41 01</b>
				Page
				2/2
Modifications	Date	Name		